

Features

- Universal input 100-240VAC
- Class I (C14)
- Approved to UKCA, CE, cULus, RCM (C-Tick)
RoHS & REACH
- UL/EN/IEC 62368-1 Safety Approved
- Meets Efficiency Level VI & (EU) 2019/1782
- Single Output 19V DC



Ideal Power's 66JYH5Z-xy-BY-RS-2.5 96W AC/DC External Desktop Power Supply (PSU) Series are certified to cULus, UKCA, CE, RoHS, REACH & EN 62368-1/IEC 62368-1/UL 62368-1 Standards and comply with the relevant Efficiency Regulations. These are primarily used in ITE, Audio & Video Industries and customised solutions are available upon request.

Models

Model Number	Output Voltage (V DC)	Output Current (A)	Output Power (W)
66JYH5Z-1900505-BY-RS-2.5	19	5.05	96W

General Specification

Type	Switched Mode Power Supply
Input Connector	IEC 320-C14
Output Connection	2.5x5.5x11.0mm
Number of Outputs	1
Energy Efficiency Level	VI
Mounting Style	Desktop
Switching Frequency	65KHz
Power Indicator	LED Indicator for power on
Cable Length	1500mm(±100mm)
Cable Type	UL1185, 16AWG
Medical Approved	No

Input Specifications

Rated Input Voltage	100 to 240V ac
Full Input Voltage Range	90 – 264V ac
Rated Frequency	50/60Hz
Full Frequency Range	47/63Hz
Efficiency Level VI	Level VI / Efficiency (EU) 2019/1782
Input Current (RMS Max.)	2.5A
Inrush Current	80 Amps Max. Cold start at 240Vac input, with rated load and 25°C ambient.
Leakage Current (max.)	0.75mA / 240V ac

Output Specifications

Output Regulation	+/-5%
Ripple & Noise (max.)	200mVp-p
Voltage Tolerance	±5.0%
Line Regulation	±1.0%
Load Regulation	±5.0%
Start-up, Rise Time	40ms Max at 115V ac input and output Max load.
Hold Up Time (Typ.)	50ms Min. at 115V ac input and output Max Load.
Number of Outputs	1
Turn On Delay	3 Seconds Max. at 115V ac input and output Max Load.
Insulation resistance	20MΩ min. at primary to secondary add a 500Vdc test voltage
Over Voltage Protection	Auto recover when 120% ~ 170% of fault is removed.
Short Circuit Protection	Auto recover when the short circuit fault is removed

Mechanical Specifications

Housing Material	Fully Enclosed Plastic Case
Overall Dimensions	140mm x 60.5mm x 33mm
Overall Length	140mm
Overall Depth	60.5mm
Overall Width	33mm
Weight	380g

Environmental Data

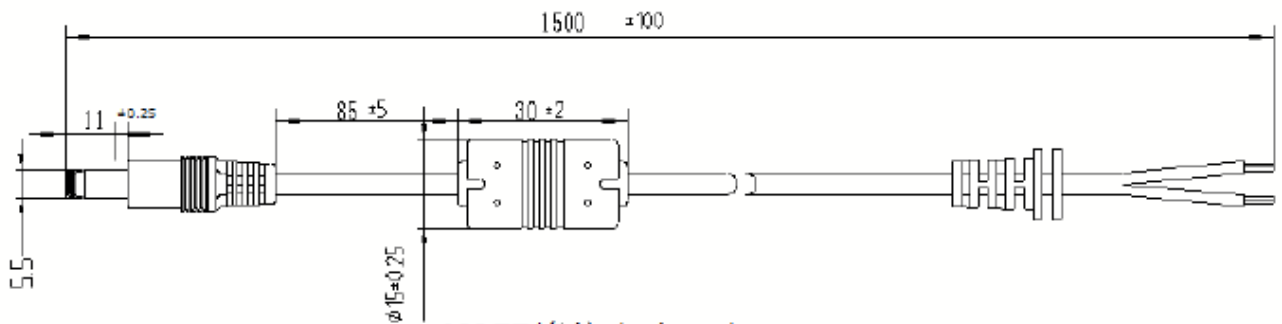
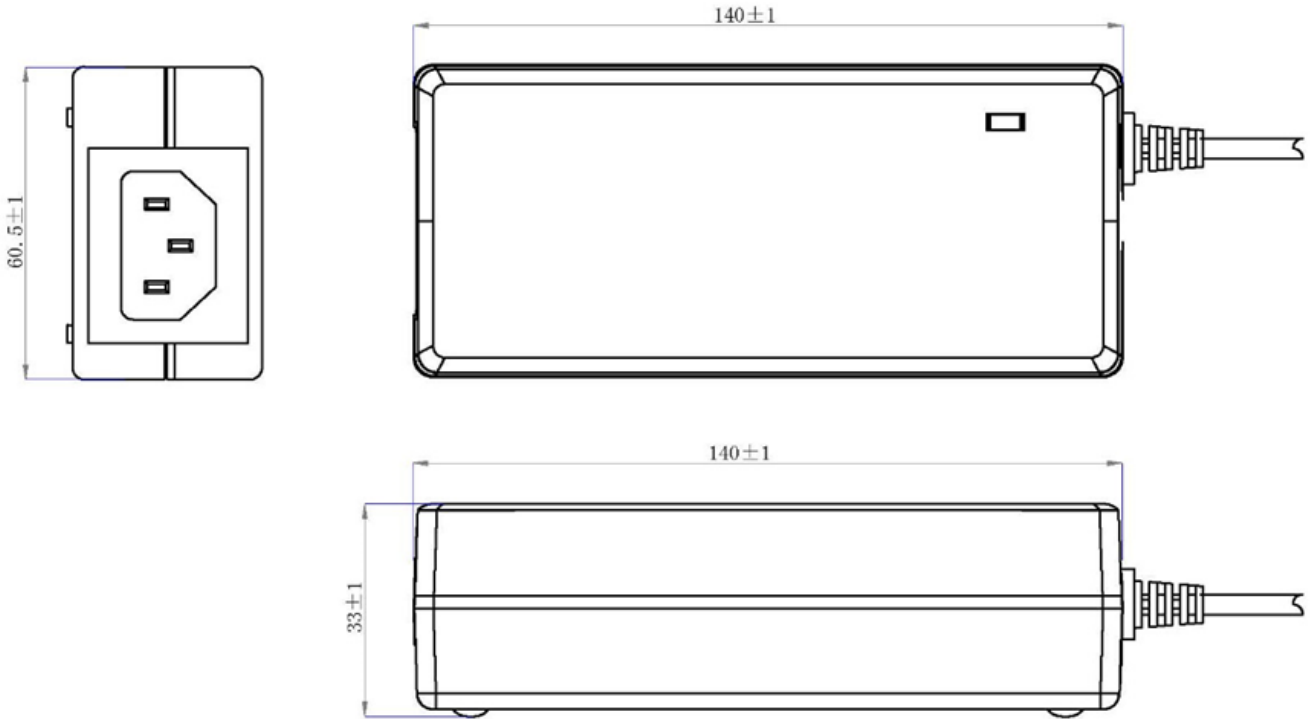
Cooling	Natural convection
Operating Temperature Range	0 to 40°C
Relative Humidity	5% to 90% RH non-condensing
Storage Temperature Range	-20 to 80°C

Approvals

Compliance/Certifications	UKCA, CE, cULus, RCM (C-Tick) RoHS & REACH
Safety Standard	UL62368-1, EN 62368-1, IEC 62368-1, J60950-1 approved
EMC Emission	Compliance to EN 55032

Mechanical Drawing

AC - DC



NOTE/备注:(unit:mm)

1.1185 16AWG 80°C VW-1 300V L:1500±100mm

Material: 1185 16# Length: 1.5m

2.The polarity:inner-positive,outer-negative.

3.DC jack:5.5*2.5*11mm Fork style



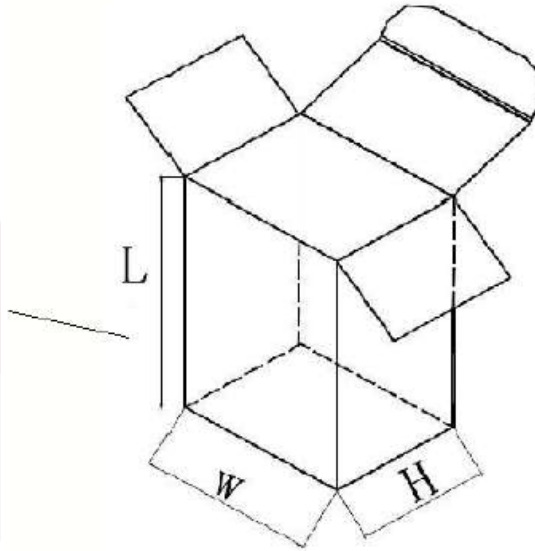
Fork style

Typical Labels

11.2 Inner box:

Small White Box ASS'Y

Outside box size :L*W*H:170*70*70mm



	RS Stock Number: 2552119			
	SWITCH MODE POWER SUPPLY Model: JYH5Z-1900505-BY Input : 100-240V~ 50/60Hz 2.5A Output: 19.0V ---5.05A 95.95W	POWER SUPPLY E 363708		
CAUTION :				
FOR INDOOR USE ONLY INTENDED FOR INSTALLATION IN A PROTECTED ENVIRONMENT. MADE IN CHINA				

Note: The Specification be carved by Laser on plastic housing.

AC – DC